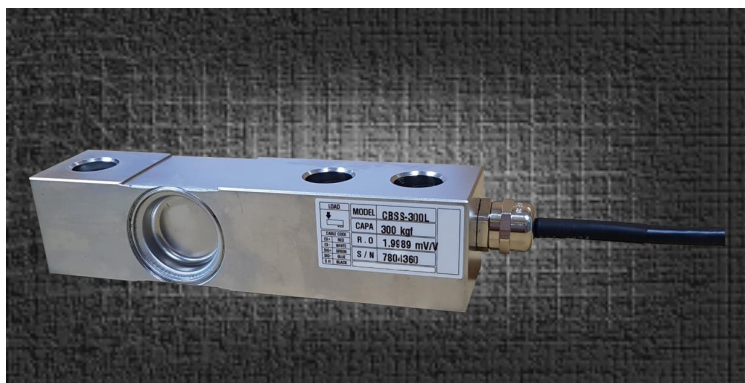


CBSS-300L Stainless shear beam load cell, 300kgf



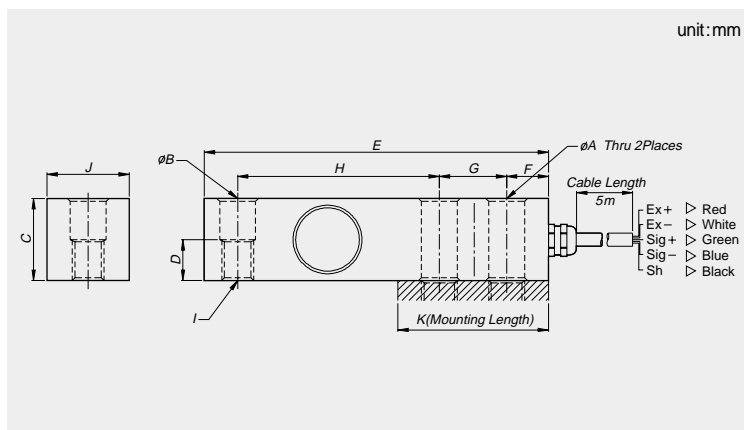
FEATURES

- Stainless steel construction
- Protection class IP68

SPECIFICATIONS

Max. capacity	kgf	300
Rated output	mV/V	2.0 ± 0.005
Zero balance	mV/V	0 ± 0.02
Accuracy class		D3
Combined error	%	0.03
Repeatability	%	0.01
Creep for 30 min.	%	0.03
Temperature effect on		
Zero Value	%/10°C	0.028
Output value	%/10°C	0.014
Excitation		
Recommended	V	10
Maximum	V	15
Resistance		
Input	Ω	350 ± 3.5
Output	Ω	350 ± 3.5
Insulation	M Ω	> 2,000
Compensated temperature range	°C	-10 to +40
Operating temperature range	°C	-30 to +80

DIMENSIONS



Material

Stainless Steel

Mounting

Capacity	Hexagon head-Bolt	Tightening torque
300kgf	M12 × 1.75(10.9)	100Nm

Cable

Braided shield 4-wire round cable with Urethane-jacket

Mounting Accessory

BSA-TWE(L)-SUS

Model	Capacity	A	B	C	D	E	F	G	H	I	J	K
CBSS-300L	300kgf	13.5	13.5	31.7	15.8	130	15.8	25.4	76.2	M12 × 1.75	31.7	52